

ALLTION[®]



AM-6000 series Surgical Microscope

Solution for the pain points of users, leader of segment market of C class.



In 20 years of using microscopes, the AM 6000 is the first All-in-One compact OM that I have encountered which allows easy communication between the dentist, the patient and the assistant without costly equipment, thanks to its integrated HD camera (HDMI & WiFi).

---Dr.Denis Honegger,Switzerland

4 Unique Features Of The World

23mm eyepiece for large field of view

Easy to resemble & Observe comfortably

Pain point of users: Eyepiece of microscopes in other brands only with 18mm or 21mm field of view, which feels uncomfortable and it is hard to look into one circle due to the smaller view of field.

Built-in beam splitter

Pain point of users: Generally speaking, ordering a beam splitter will be an extra cost for matching assistant scope or digital SLR camera.

Built-in Full Function Camera

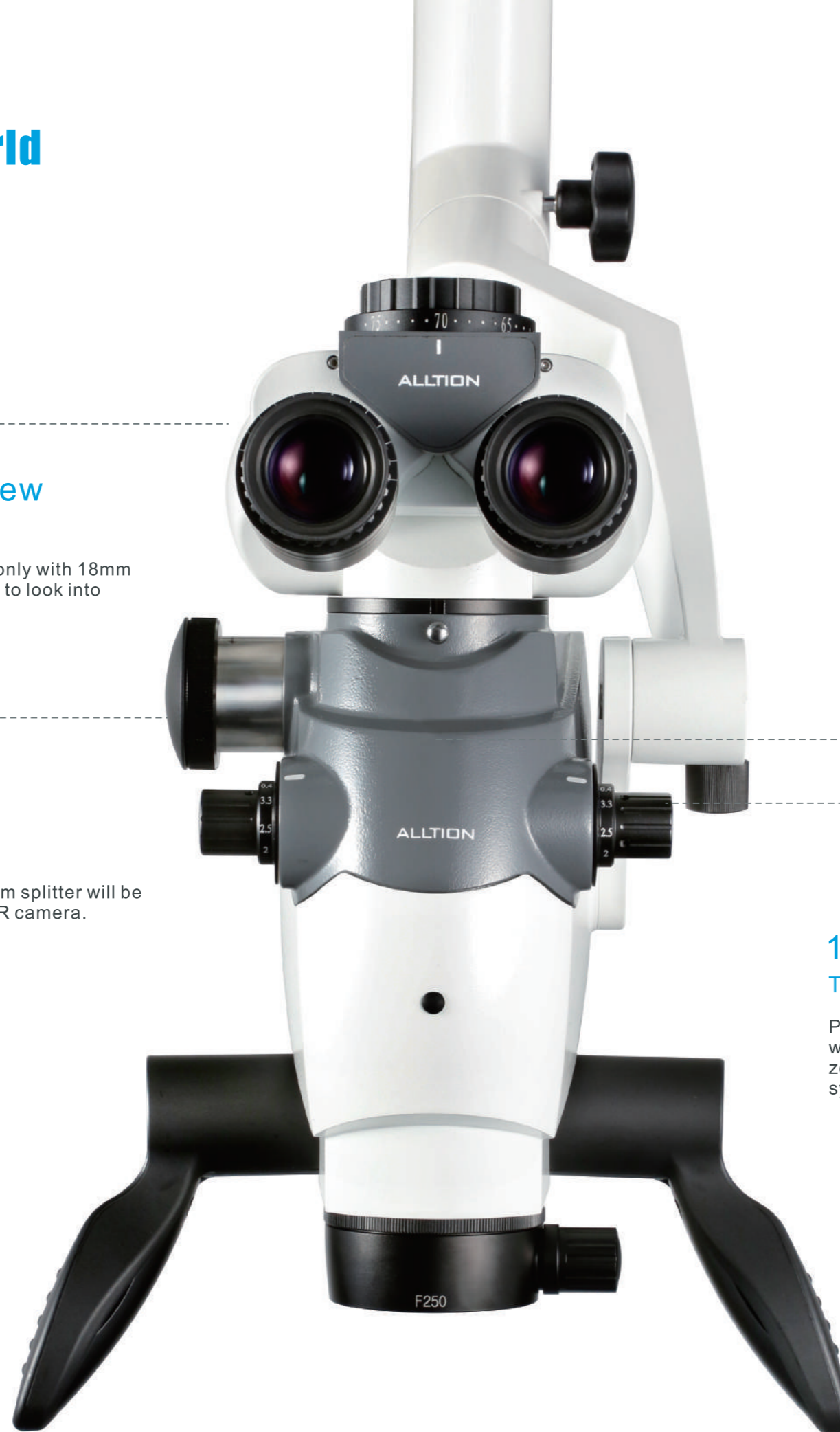
Brief but not simple

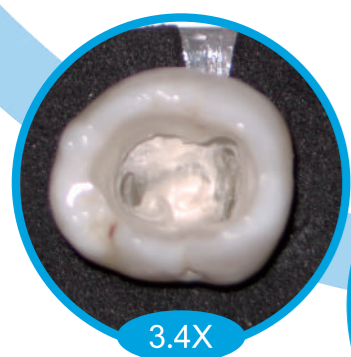
Not only photography & recording, but also measurement, contrasting and more function for you to use.

1:8 zoom ratio system

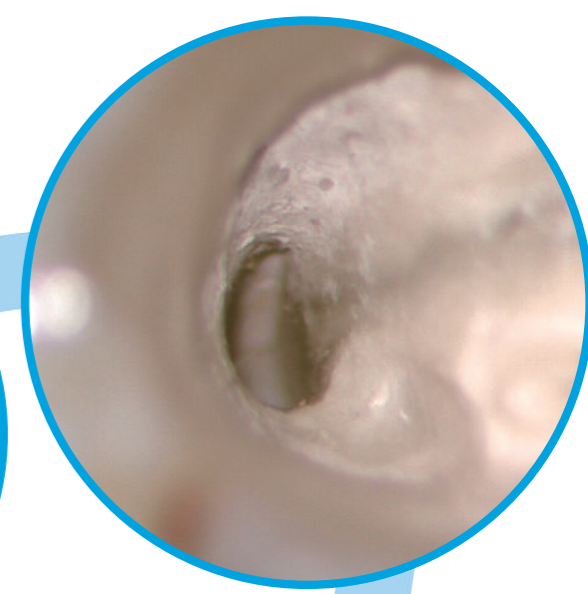
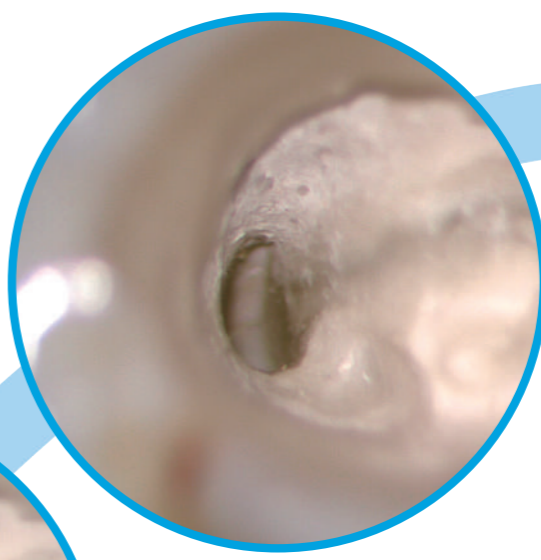
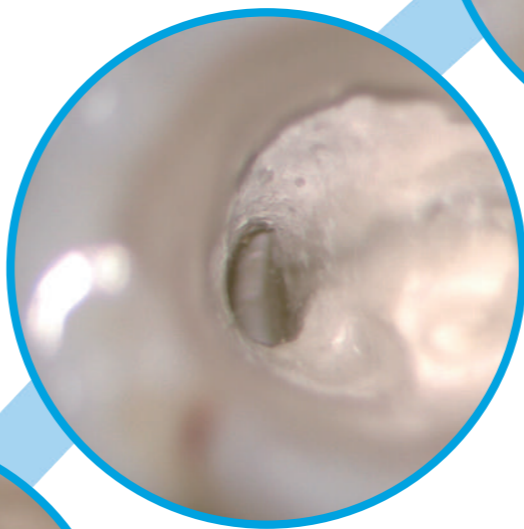
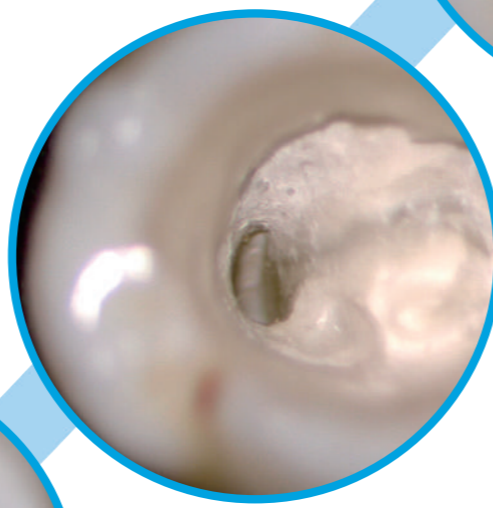
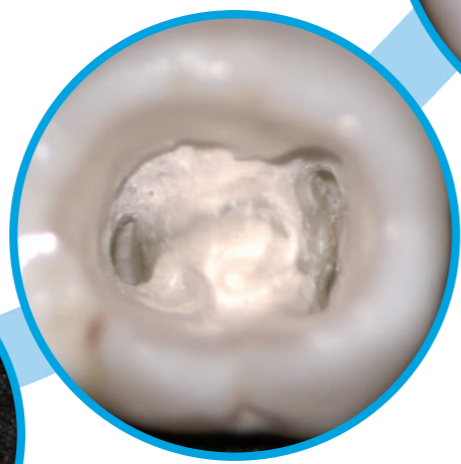
Total magnification range: 3.4X-27.7X

Pain point of users: View will be cut off when zooming in or out with step magnification system, bad for observing; Range of 1:6 zoom ratio system will be relatively smaller than 1:8 zoom ratio system.





3.4X



27.7X

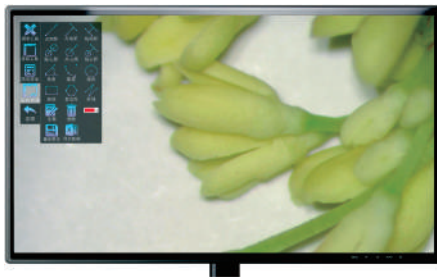
1:8 zoom ratio system

Every details will be shown from corona dental crown to apical;
Low ratio for adjusting the view (or oral repair operation),
Medium ratio for clinical operation (e.g.:dental pulp operation),
High ratio for examination.
3.4X-27.7X, from low to high swifting continually, ensure the view completed.

Built-in Full Function Camera, Ergonomic and various design for recording still image and video



To adjust the color, clarity and other related parameters according to the actual needs.



The feature of contrasting photo-photo, photo-live images by built-in Camera



wireless foot pedal



by mouse



handgrip button

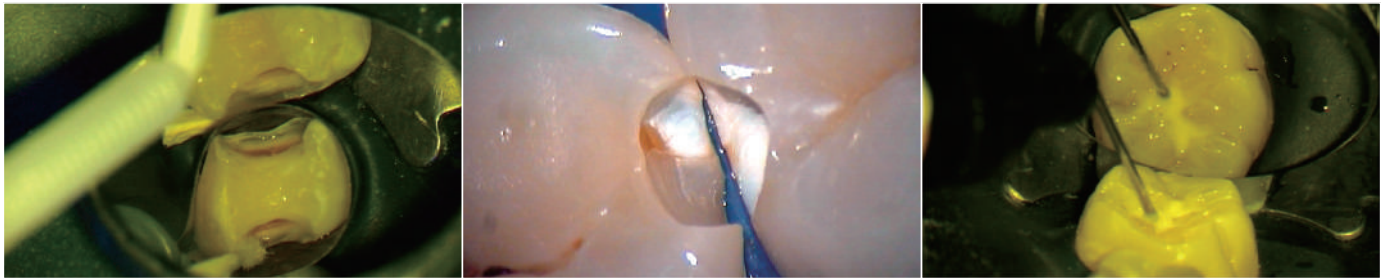
Three types of photography and recording



Cracks

Crown Preparation

Dentin Variation

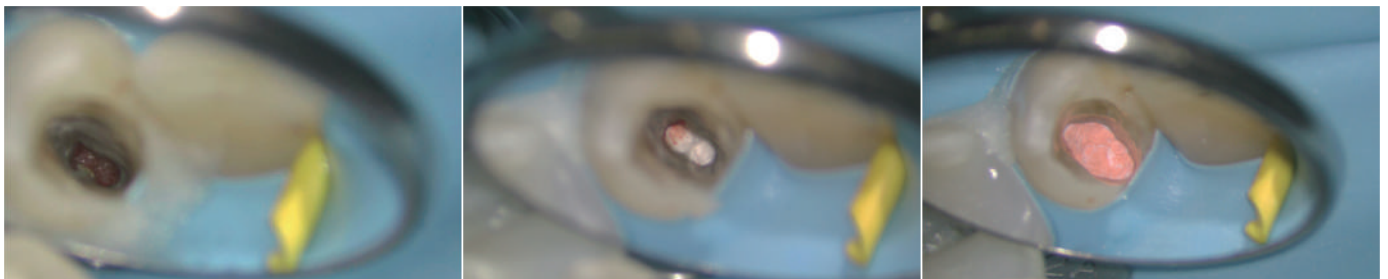


Milk teeth

Prox. Decays

Sealant

Above pictures by courtesy of Dr. Denis Honegger in Versoix, Switzerland



Above pictures by courtesy of Dr. Hendrik Heinzelmann in Bad Gersfeld, Germany



Above pictures by courtesy of Dr. Vladislav Pavlov in St. Petersburg, Russia



There are different ergonomic ways, according to one's needs, of attaching magnetically an iPhone or a tablet.

---Dr.Denis Honegger,Switzerland

Combine with quality and humanized

Humanized balance adjustment

The balance adjustment can be done by a knob. It is very easy to adjust the balance.

950mm Suspension arm

It is long reach & convenient & flexible to provide more options for the layout in the clinic.

Personalization can be achieved

Four round covers on both ends of the suspension arm can be personalized with the name of dealer or clinic or doctor etc.

Friction adjustment knob

The friction force can be adjusted precisely. Operation is feeling good.

Shining LOGO

Intelligent detection for electrical fault and reminding
Double margin power supply for improving reliability.



Built-in power cable

Power cable and HDMI cable are integrated in the stand column and their socket is mounted the stand base. It looks clear and in order.



45° Binocular Extender + Rotation Device, meet your operational requirements as we can.

Handgrips

360° rotatable, Could be pulled out and rotate to any direction. Being convenient to use. Handling softly, Ergonomic design based on the shape of the hands
Sterilize, The handgrips could be pulled out to be sterilized, no need to be covered by sleeves in use.

AM-6000

Excellent design and manufacturing process

Compact

Suspension arm can be folded on the top of carrier (first) arm for saving space and moving to any place easily.



Anti-collision pin

Special design to avoid collision between carrier (first arm) and suspension arm when they are folded or they are closed.

Reliable

The cover of carrier arm decorates with environmentally friendly PC materials, provides better strength than ABS, ensures sturdy and durable and prevents from aging problem, brushing on the surface looks fashionable.

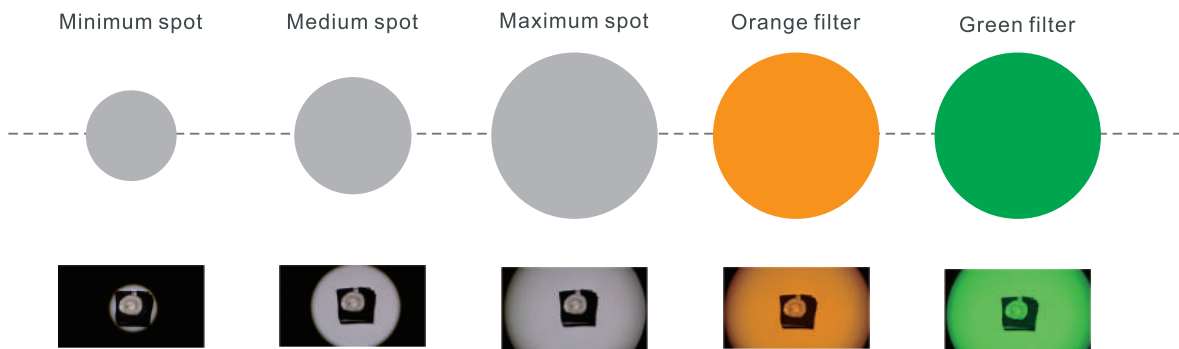
Technology

Internal parts of the machine are mostly made of 6061 aluminum alloy material, with the tough lines of the product, giving an excellent sense of texture and technology.



Illuminating mode

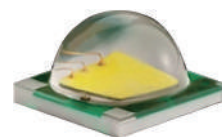
Five types of illuminating



Excellent illuminating design

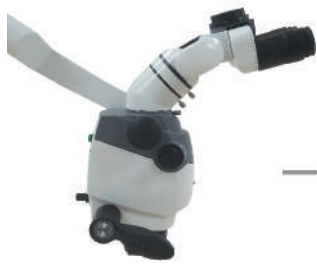
Built-in LED lamp

Great heat dissipation design to ensure the maximum life time of LED lamp (The life time of LED lamp is 60,000 hours or more)
 Color temperature is close to sunlight (5700K), more than 85% color rendering index, restore the color of the observed object more realistic.



Linear dimming patent

Excellent dimming linearity can keep illumination at very low brightness.



45° Binocular Extender+
Rotation Device



45° Binocular Extender



Rotation Device



0-180° inclinable binocular



2-D Rotation binocular
Assistant Scope



Beam Splitter(2:8 or 5:5)
(Built-in)



2-D Rotation binocular
Assistant Scope Connector



0-180° Inclinable Binocular



3-D Rotation binocular
Assistant Scope



Beam Splitter(2:8 or 5:5)
(Built-in)



3-D Rotation binocular
Assistant Scope Connector



0-180° Inclinable Binocular



Camcorder/CCD Camera Kit



Beam Splitter(2:8 or 5:5)
(Built-in)



Camcorder adapter



Camcorder/CCD Camera



SLR Camera Adapter Kit



Beam Splitter(2:8 or 5:5)
(Built-in)

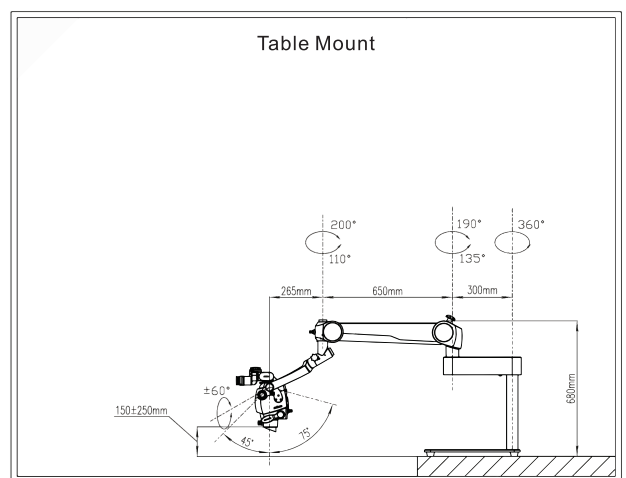
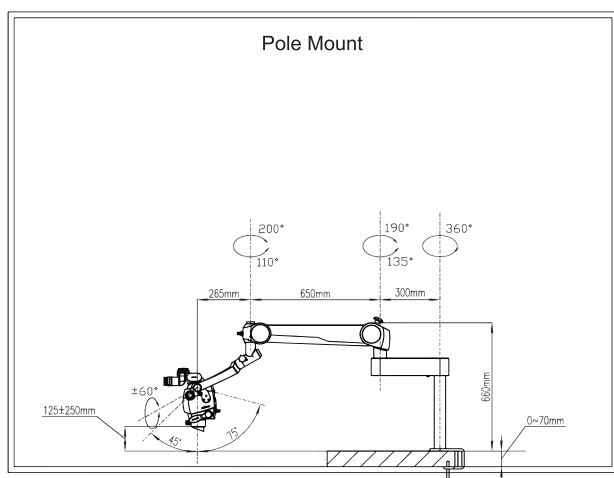
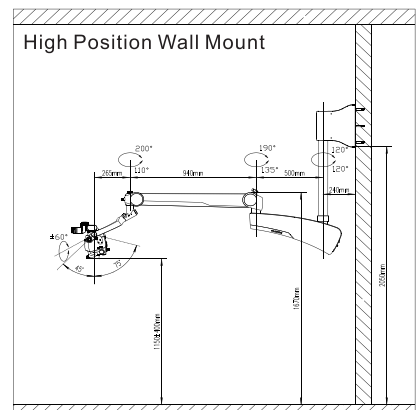
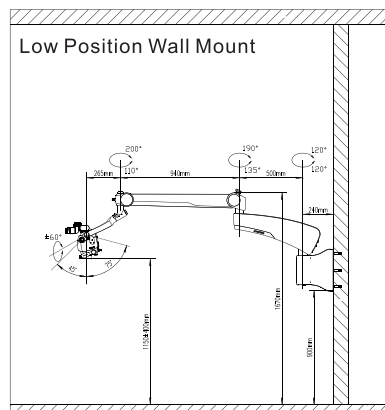
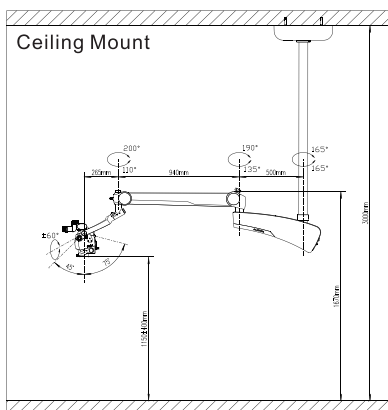
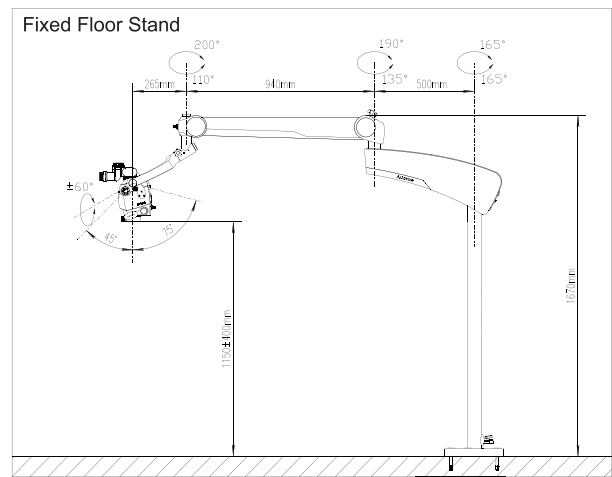
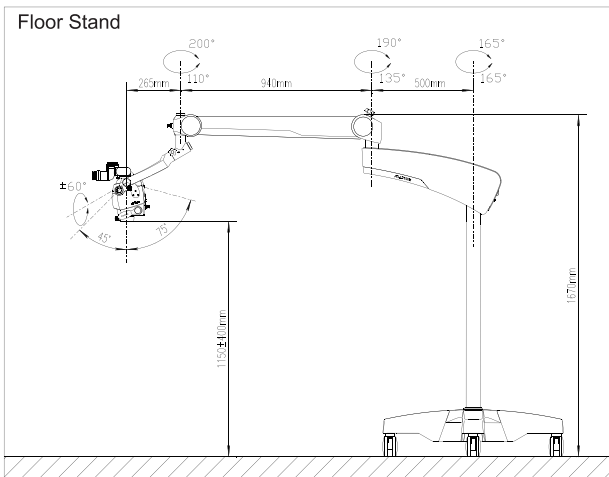


SLR Camera adapter



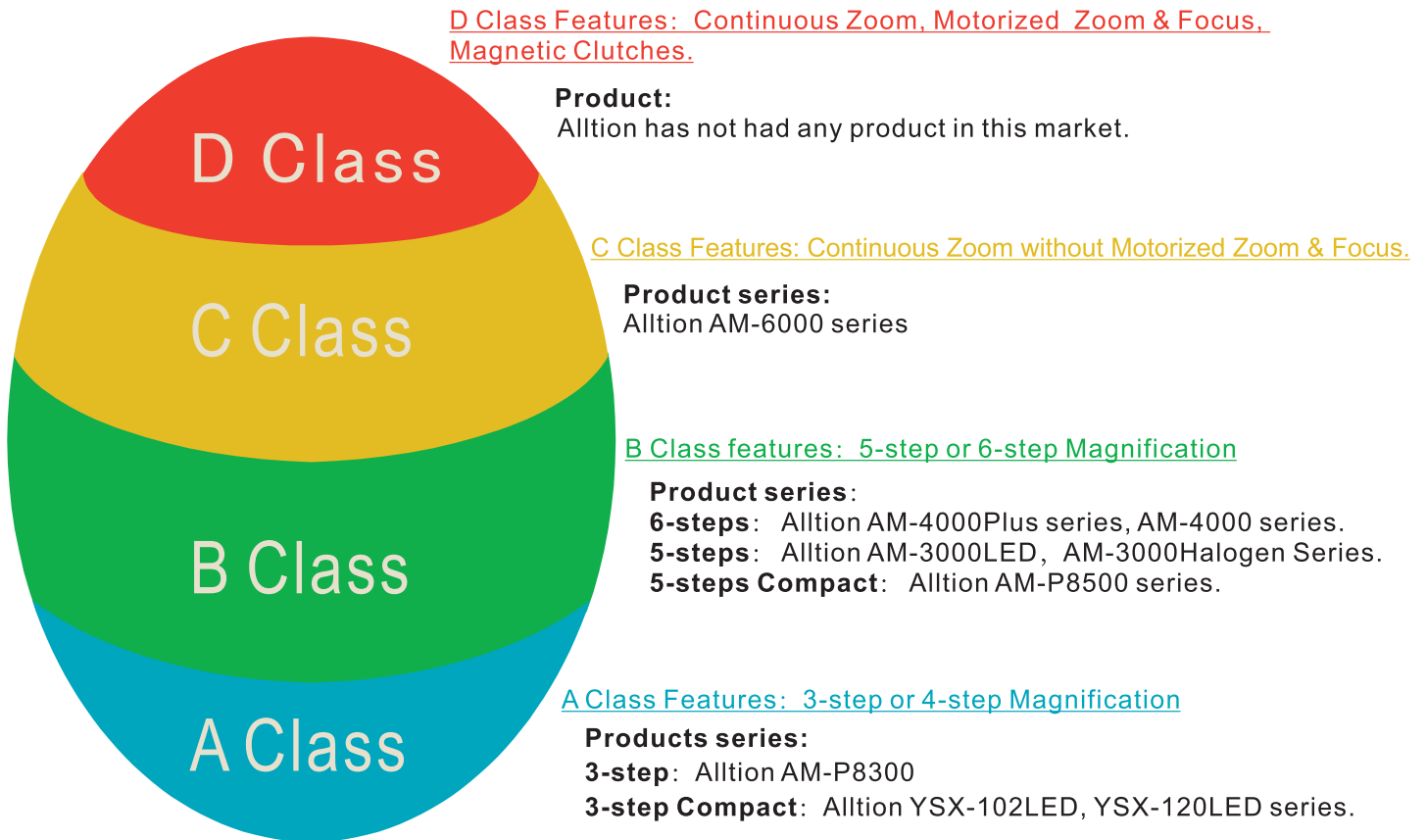
SLR Camera

Figure of support system of AM-6000



Alltion Dental Microscopes in Market Segments

Refer to the car classification, Alltion dental microscopes are classified into different market segments according to their technical data as follows:



Code	Specification					
	Manual Zoom Ratio	Binocular Head	Eyepiece	Built-in Camera	Objective lens	Suspension System
AM-6000VC	1 : 8	0-180° Inclinable Binocular Head	10X/23mm	ALL-CAM2	Variable Objective Lens (200mm to 300mm)	Floor Stand/Fixed Floor Stand/ Ceiling Mount/Wall Mount
AM-6000V	1 : 8	0-180° Inclinable Binocular Head	10X/23mm	Nil	Variable Objective Lens (200mm to 300mm)	Floor Stand/Fixed Floor Stand/ Ceiling Mount/Wall Mount
AM-6000C	1 : 8	0-180° Inclinable Binocular Head	10X/23mm	ALL-CAM2	250mm Objective Lens	Floor Stand/Fixed Floor Stand/ Ceiling Mount/Wall Mount
AM-6000	1 : 8	0-180° Inclinable Binocular Head	10X/23mm	Nil	250mm Objective Lens	Floor Stand/Fixed Floor Stand/ Ceiling Mount/Wall Mount

Specification Of AM-6000 Surgical Microscopes

Description	Type	AM-6000								
Microscopes	Eyepiece Ratio	10X								
	Eyepiece Field	23mm								
	Zoom System	manual zoom ratio, 1:8								
	Binocular	0-180°adjustable binocular								
	Range of Pupillary distance	50mm-75mm								
	Objective Lens	Objective lens 250mm(300mm/400mm are optional)								
		Variable objective lens ,working distance:200mm-300mm								
	Maximum Object Illumination	≥60000(Lux)								
	Color Rendering	≥85%								
	Color Temperature	5700K								
	Rated Voltage	100-240V 50/60Hz								
	Input Power	35-60VA								
	Beam Splitter	Built-in Beam splitter								
	Camera	Built-in FULL FUNCTION CAMERA								
Built-in FULL FUNCTION CAMERA	Sensor	1/2" SONY high-sensitivity and low-noise CMOS								
	Resolution	HD 1080P 60FPS(16:9)								
	Internal Storage	Built-in 32G SD memory space.USB flash disk can be connected externally								
	Data Format	Picture:JPG format;Video:MP4 format								
	WIFI	With the function of external WIFI,it can transmit images								
	Video Resolution	1080P								
	Basic Function	Freeze,photograph,video recording,automatic exposure,white balance, play back and cross curve								
	Image Effect	Exposure value,best brightness,gain,red gain,blue gain,saturability, contrast ratio,definition and HDR								
	Advanced Functions	Horizontal flip,vertical flip,zoom out,zoom in,AOI and image comparison								
	System Settings	Internal/external storage,automatic/autonomous naming, Chinese/English,show/hide rulers,system update,factory reset,export and version information								
	PC Client	WINDOWS XP , WIN7, WIN8, WIN10								
	Mobile Client	Android system, IOS system								
Main-body Size	Maximum Working Distance	1700mm								
	Working Height Range	750mm-1550mm								
	Stand Base	640mmx640mm								
Optical Parameter										
Objective Lens	F200		F250		F300		F350		F400	
Magnification Changer	Total Magnification	Field Of View(mm)	Total Magnification	Field Of View(mm)	Total Magnification	Field Of View(mm)	Total Magnification	Field Of View(mm)	Total Magnification	Field Of View(mm)
0.4X	4.1X	54.0	3.4X	66.0	2.8X	66.0	2.4X	92.9	2.1X	105.5
0.5X	5.1X	44.0	4.2X	53.7	3.5X	53.7	3.0X	74.2	2.6X	84.4
0.8X	8.2X	29.0	6.7X	35.0	5.6X	35.0	4.8X	49.5	4.2X	56.3
1.0X	10.3X	22.0	8.4X	27.0	7.0X	27.0	6.0X	37.2	5.2X	42.2
1.5X	15.4X	14.5	12.6X	17.8	10.5X	17.8	8.9X	24.8	7.9X	28.1
2.0X	20.5X	10.9	16.8X	13.3	14.0X	13.3	11.9X	18.6	10.5X	21.1
2.5X	25.6X	8.7	21.0X	10.8	17.5X	10.8	14.9X	14.9	13.1X	16.9
3.3X	33.8X	6.6	27.7X	8.1	23.0X	8.1	19.6X	11.4	17.3X	13.0

Accessories of AM-6000

Description of goods	Part No.	Purpose
Straight Binocular Head	AM6000-31000	Observation Binocular is parallel to optic axis of zoom ratio system of microscopes
45° Binocular Head	AM6000-32000	Observation Binocular is at 45° angle to optic axis of zoom ratio system of microscopes
Variable Objective Lens (200mm to 300mm)	AM6000-09000	Objective Lens at working distance of 200mm to 300mm
F300 Objective Lens	AM6000-12000	300mm working distance
F400 Objective Lens	AM6000-14000	400mm working distance
Beam Splitter	AM6000-33000	Distribute the light and output by standard adapter
Binocular Extender (45°)	AM6000-34000	The light transmission direction turning 45°
Rotation Device	AM6000-35000	Achieving rotation of binocular head within the range of certain angle when use with microscopes
Camera Adapter	AM6000-38000	Matching camera with standard joggle when use with microscopes
Camcorder Adapter	AM6000-39000	Matching camcorder with standard joggle when use with microscopes
2-D Rotation Binocular Assistant Scope	AM6000-40000	Use with microscopes and binocular head
3-D Rotation Binocular Assistant Scope	AM6000-41000	Use with microscopes and binocular head
FS-1 Wireless Foot Switch	FS1-00000	Controlling function of photography & recording of built-in camera when use with microscopes
ALL-CAM2 Full Function Camera	ALLCAM2-00000	Achieving output images to monitor when use with microscopes
Fixed Floor Stand	AM6000-21000	Stand for fixing the microscopes to floor
Ceiling Mount	AM6000-22000	Bracket for fixing the microscopes to ceiling
Low-position Wall Mount	AM6000-23000	Bracket for fixing the microscopes to wall
High-position Wall Mount	AM6000-24000	Bracket for fixing the microscopes to wall

ALLTION®

Alltision (Guangxi) Instrument Co., Ltd.
Alltision (Wuzhou) Co., Ltd.

Microscopes Are Our Business & Customer Service Is Our Pride

Alltision Building, No. 10, 3rd Road, Industrial Boulevard, Wuzhou Industrial Park, Wuzhou, Guangxi, China, 543000

Tel: +86-774-2836101 (3 lines) Fax: +86-774-2836192

Email: sales@alltision.com or sales@alltision-microscope.com

Web site: www.alltision.com or www.alltision-microscope.com

Version: ASMP-01-2018E(A)
2018.8 Printed in China